

安装说明

挂墙座便器

记录您的型号：
Record your model number: _____

English, page 12

KOHLER®

1511226-T2-A

Thank You for Choosing KOHLER

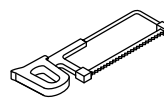
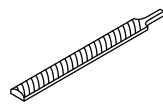
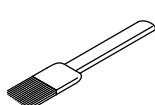
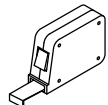
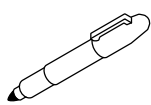
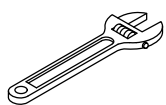
需要帮助？请联系我们的客户服务中心。

- 中国大陆：+(86) 800-820-2628, +(86) 400-820-2628
- 中国香港、中国澳门、中国台湾：+(852) 3125-7728
- 保养和清洁：kohler.com.cn/support/care-and-cleaning/

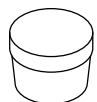
质保

本产品支持科勒®厨卫产品三年有限质保，详见包装所附的《合格证》。

工具和材料










密封硅胶



润滑剂

开始之前

-  **警告：** 存在产品损坏的风险。如果水温低于 32°F (0°C)，请勿使用本产品。
-  **警告：** 存在产品损坏的风险。请勿将报纸、尿布包装、卫生巾扔进座便器内，否则可能会造成堵塞。
-  **警告：** 请提防财产或产品受损风险。请勿使用水箱内清洁剂。含氯（次氯酸钙）的产品可能会损害水箱内的配件。这可能导致漏水与财产损失。
-  **小心：** 存在产品损坏的风险。请勿将螺母和螺栓拧得过紧。过度拧紧可能会损坏陶瓷。
-  **小心：** 存在产品损坏的风险。请勿使用水泥将座便器底座密封到地板上，因为这可能会损坏产品并使保修失效。
-  **小心：** 存在产品损坏的风险。为防止损坏和漏水，请勿用力撞击挂墙座便器。
-  **小心：** 存在产品损坏的风险。请勿使用硬质材料（如百洁布）清洁产品表面，尤其是产品标识。

请遵守当地管路安装及建筑条例。

关闭供水系统。

应由两个人执行此安装。

打开包装并检查产品是否损坏。

在安装成品墙前先安装入墙式水箱。

根据制造商的说明安装入墙式水箱和面板。

根据产品配件包内的尺寸图安装产品。

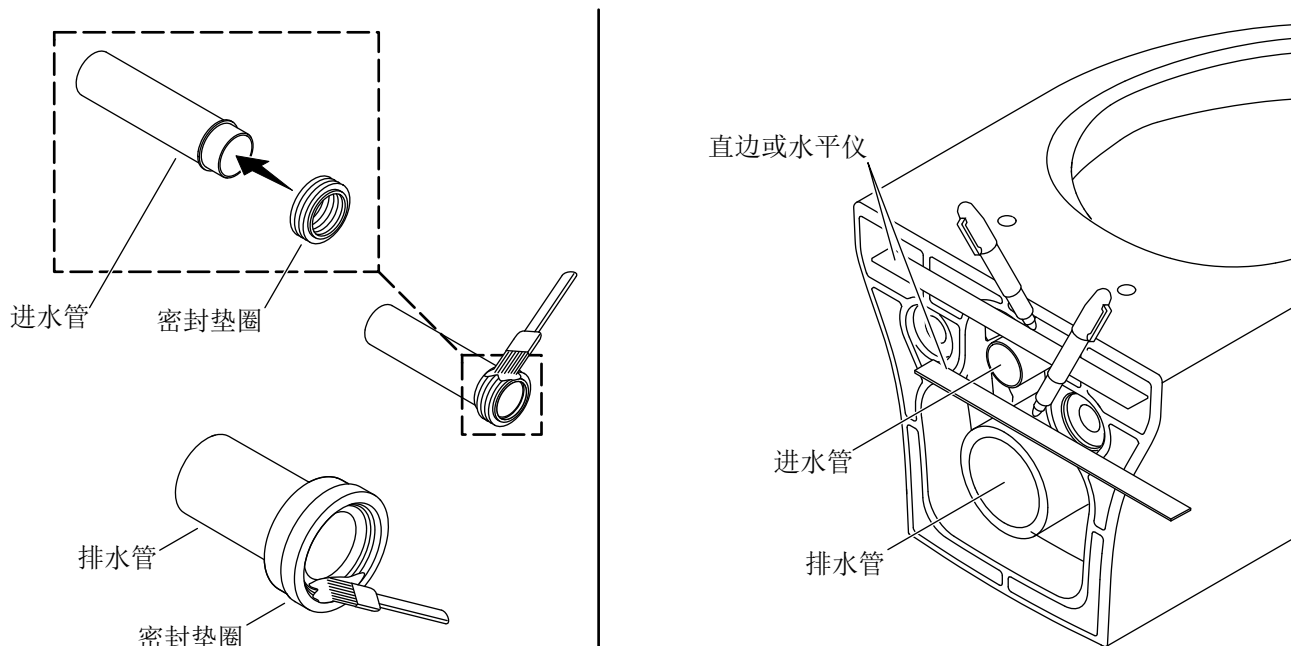
本产品符合 Q/KCI-006-2018 和 GB 25502-2017。

严格遵循座便器清洁剂厂商的说明。

请勿使用腐蚀性清洁剂或溶剂。

如果产品在硬水条件下使用，请确认座便器边缘上的孔保持清洁，以确保正确冲水。应至少每周使用一次座便器清洁剂。使用长柄刷子清洗边缘孔，并且尽可能伸入存水弯道进行清洁，以防止水垢堆积。

1. 标记管道 - 座便器

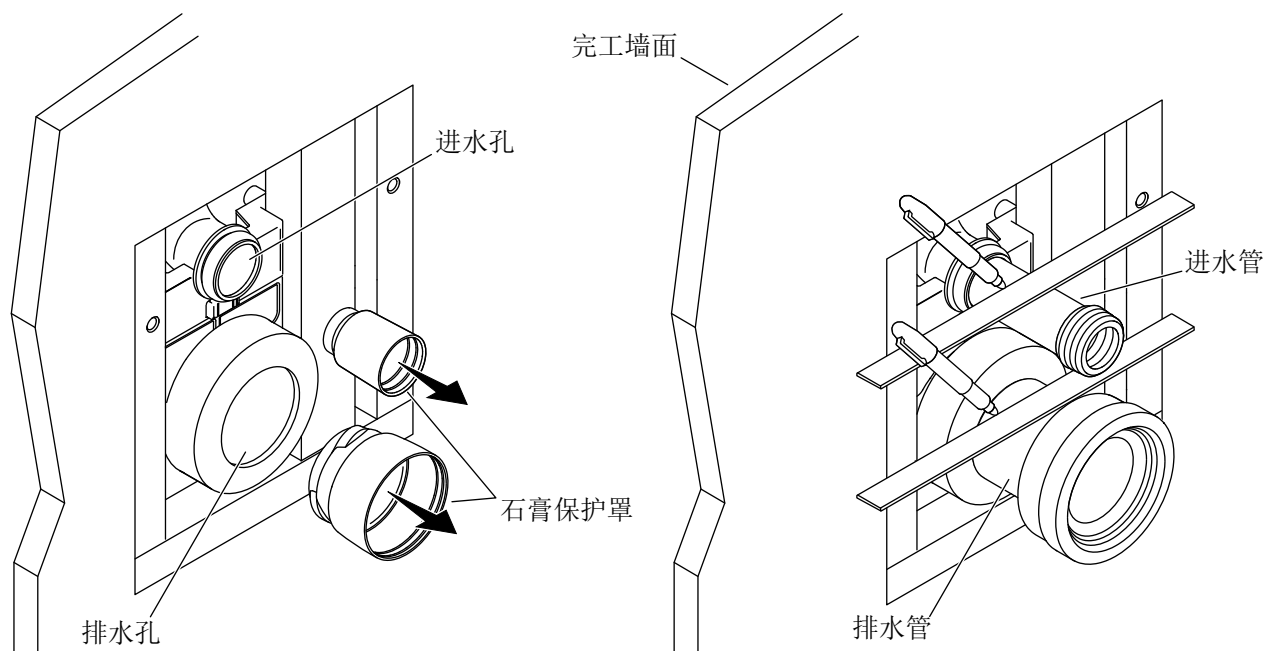


重要信息! 如果不在密封垫圈上涂抹润滑剂，在安装过程中，密封垫圈会粘结在一起，最终导致连接管切割长度不准确。

注: 排污管密封垫圈初始在排污管较细端，取下密封垫圈并重新安装，如图所示。

- 将密封垫圈安装在进水管带筋的一端
- 将排污管密封垫圈安装在排污管的扩口端。
- 在排污管密封垫圈上涂抹润滑剂。
- 将排污管和密封垫圈牢固地安装在座便器排污口上，用力推，直至排污管与座便器紧密连接。
- 将水平仪或其他直尺横放在座便器的背面。
- 用水平仪作为导向，在座便器的背面边缘标记排污管位置。
- 在进水管密封垫圈外侧涂抹润滑剂。
- 将进水管的密封垫圈端牢固地插入进水口，用力推直至进水管与座便器紧密连接。
- 将水平仪或其他直尺横放在座便器的背面。
- 用水平仪作为导向，在座便器的背面边缘上标记进水管的位置。
- 移除进水管和排污管。

2. 标记管道 - 墙面



- 拆除进水孔和排污孔上的石膏护板并丢弃。
- 在进水孔、排污孔开口的密封垫圈上涂抹润滑剂。
- 把进水管全部牢固地插入进水孔。

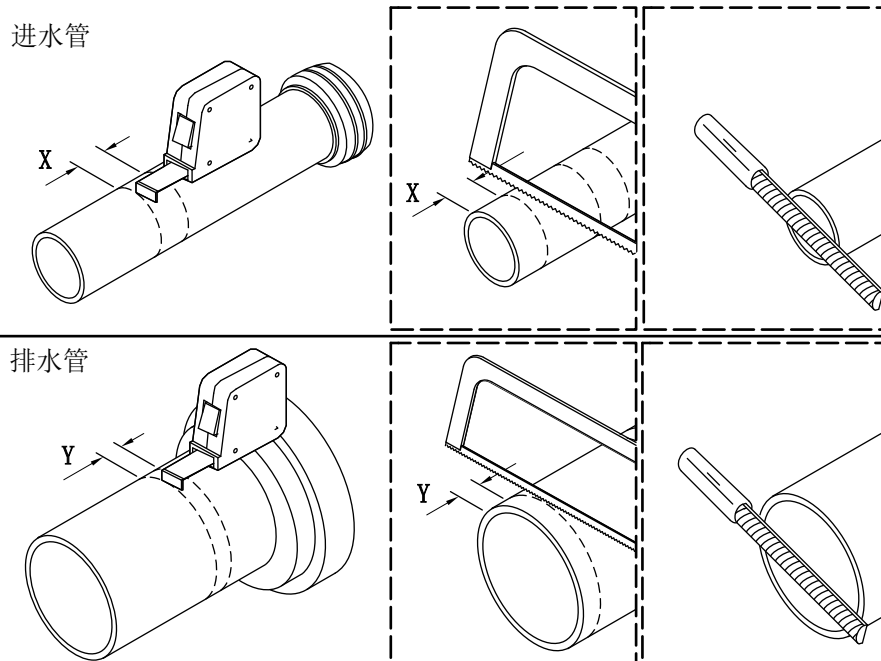
注： 如果完工墙面与进水管密封垫圈的任何部分完全对齐，则无需标记或切割。

- 用水平仪或其他直尺在进水管上做标记，使其与完工墙面的前缘对齐。
- 用力将排污管全部插入排污孔。

注： 如果完工墙面与进水管密封垫圈的任何部分完全对齐，则无需标记或切割。

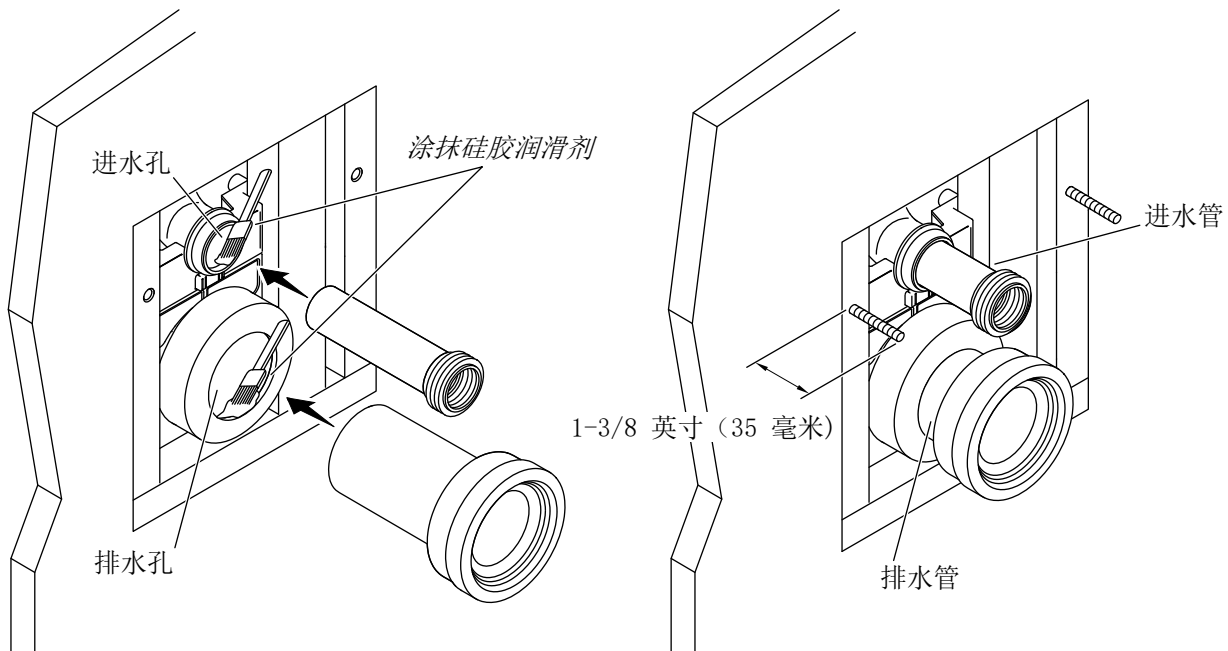
- 用水平仪或其他直尺在排污管上做标记，使其与完工墙面的前缘对齐。
- 移除进水管和排污管。

3. 切割管道



- 测量进水管上两个标记之间的距离，确定“X”数值。
- 从进水管上与密封垫圈相对的一端开始测量并标记“X”数值。
- 在此位置切断进水管。
- 测量排污管上两个标记之间的距离，确定“Y”数值。
- 从与排污管密封垫圈相对的一端开始测量并标记“Y”数值。
- 在此位置切断排污管。
- 锉削管子，以去掉任何毛刺。

4. 安装管道

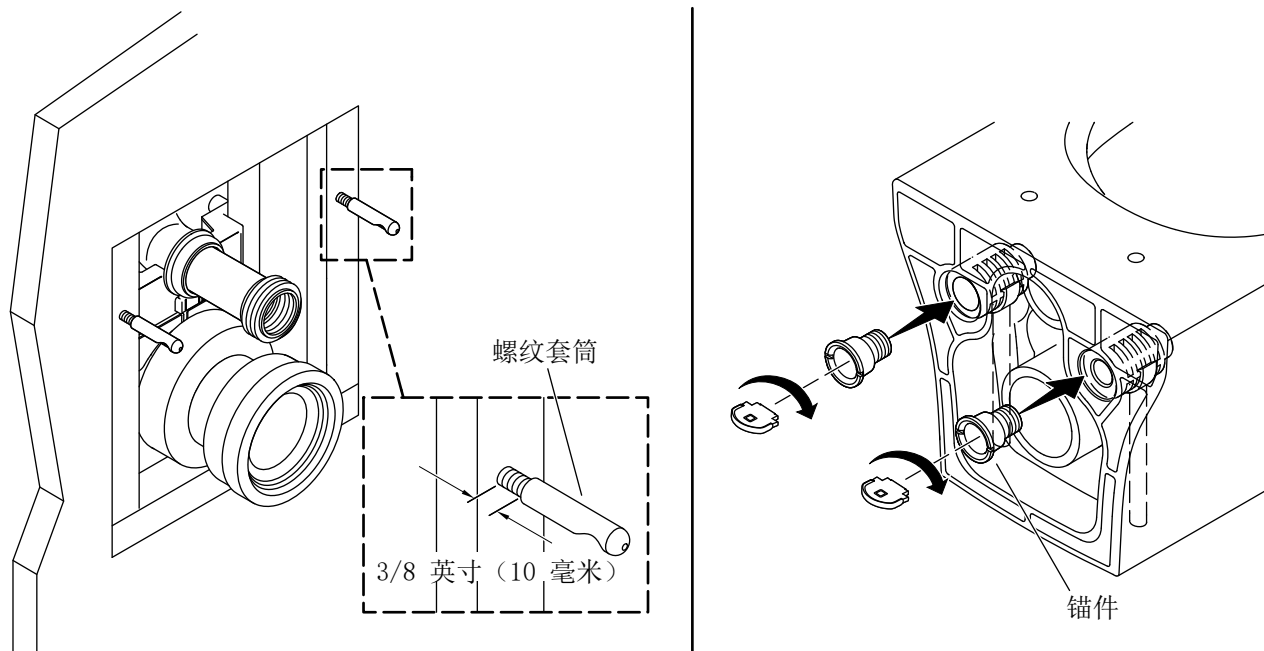


- 确认进水口、排污口的密封垫圈开口处已涂抹润滑剂并充分润滑。必要时，重新涂抹润滑剂。
- 将进水管插入进水孔。
- 将排污管插入排污孔。

调整螺杆

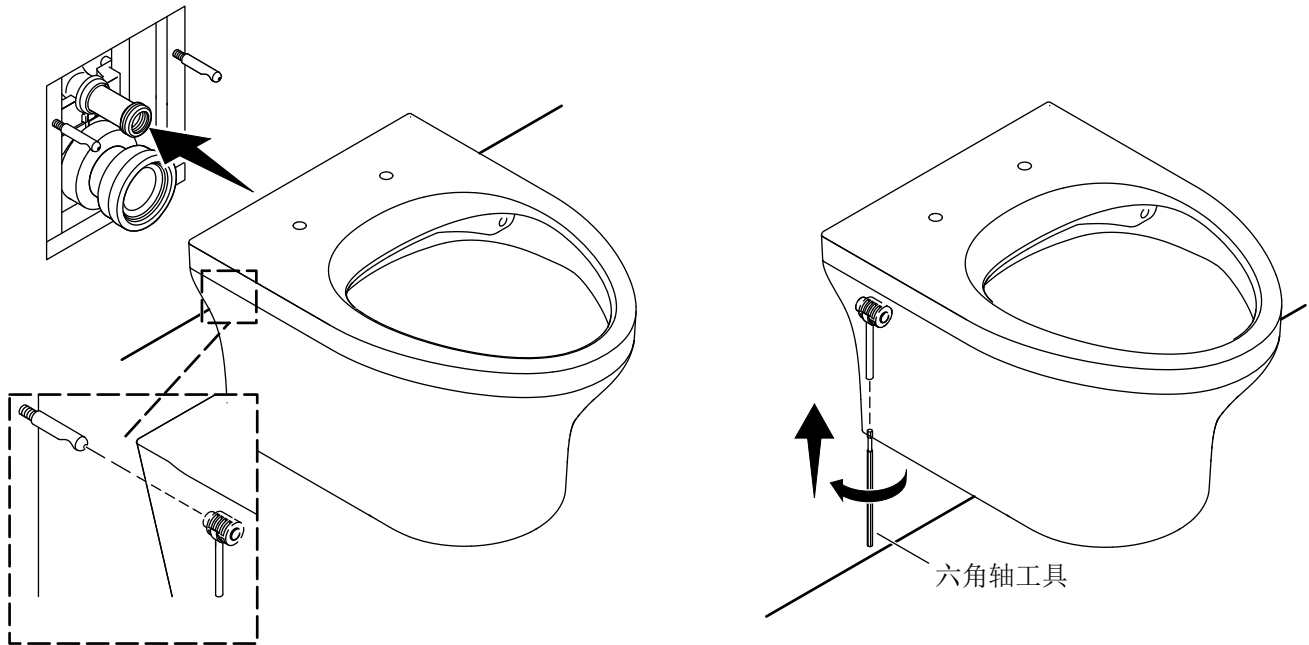
- 调整螺杆，直到每个螺杆都伸出完工墙面 1-3/8" (35 mm)。

5. 安装螺纹套筒和锚件



- 将螺纹套管穿到螺杆上，将有槽钉的末端定位在距离完工墙面 3/8" (10 mm) 处的位置。
- 将螺纹套管放置在凹口朝下的位置。
- 使用提供的工具安装并上紧锚固件。

6. 安装座便器

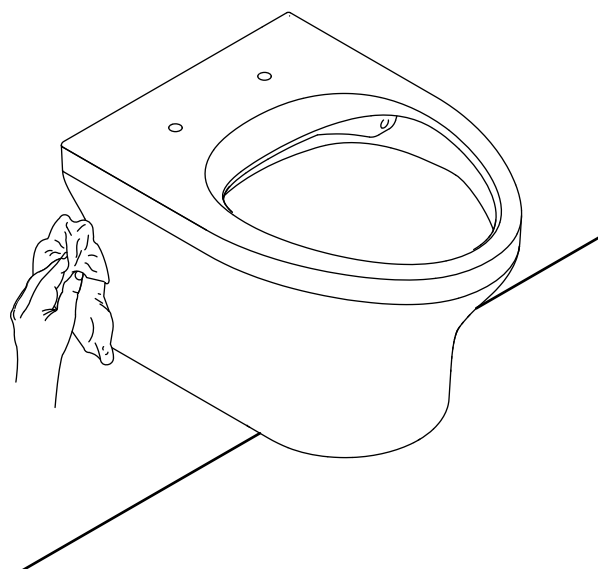
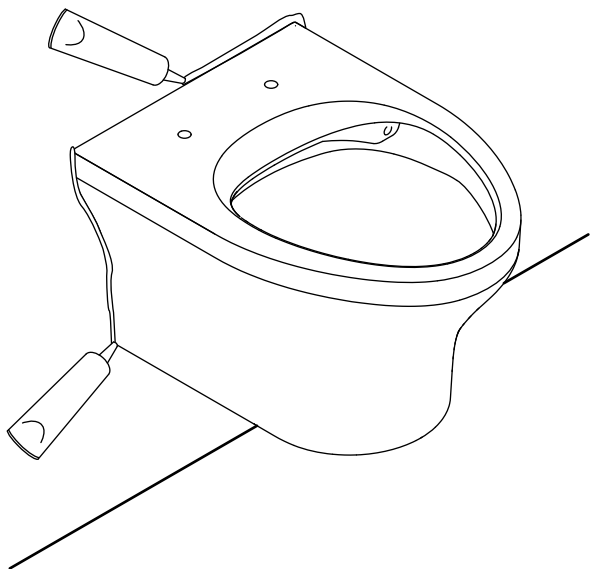


⚠️ 小心：存在人身伤害的风险。本产品很重。座便器应由两人运用适当的抬升技巧来抬升。

注： 验证密封垫圈已用润滑剂充分润滑。必要时，重新涂抹润滑剂。

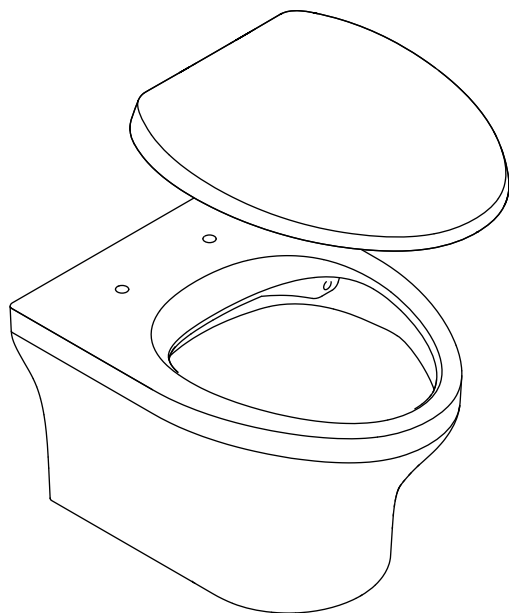
- 验证进水弯管内侧的密封垫圈是否与进水管正确接合。
- 验证排水弯管内侧的密封垫圈是否与排污管正确接合。
- 确认螺纹套筒的槽口朝下。
- 小心地提起座便器，并将螺纹套管和管道与相应的孔对齐。
- 将座便器安装到螺纹套管、进水管和排污管上。
- 确认座便器与进水管和排污管上的密封垫圈完全接合。
- 将座便器向后滑动，直至与墙壁齐平。
- 从座便器水箱下方，将六角轴工具插入管子，并拧紧六角螺丝。

7. 完成安装



- 沿着座便器和墙壁安装位置的边缘涂抹密封硅胶。
- 擦掉多余的密封硅胶。

8. 安装盖板



□ 按照盖板随附的说明安装座便器盖板。

Installation Instructions

Wall-Hung Toilet

Thank You for Choosing KOHLER

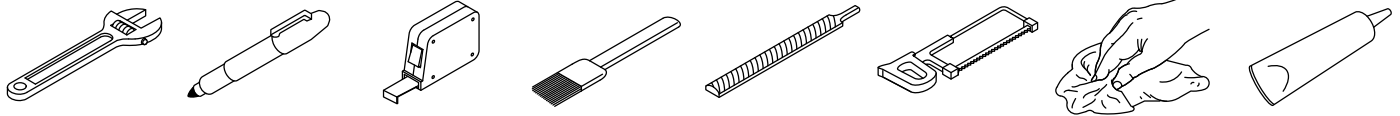
Need help? Contact our Customer Care Center.

- Mainland China: +(86) 800-820-2628, +(86) 400-820-2628
- Hong Kong (China), Macau (China), Taiwan (China): +(852) 3125-7728
- Care and cleaning: kohler.com.cn/support/care-and-cleaning/

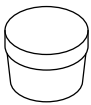
Warranty

This product is covered under the **Three-Year Limited Warranty for KOHLER® Plumbing Products**, found in the packed Compliance Certification.

Tools and Materials










Silicone Sealant



Plumbers Silicone Grease

Before You Begin

-  **WARNING: Risk of product damage.** Do not use the product when the water temperature is below 32°F (0°C).
-  **WARNING: Risk of product damage.** Do not throw newspaper, diaper cover, sanitary towel in the toilet as it may cause blockage.
-  **WARNING: Risk of property or product damage.** Do not use in-tank cleaners. Products containing chlorine (calcium hypochlorite) can damage fittings in the tank. This can cause leakage and property damage.
-  **CAUTION: Risk of product damage.** Do not overtighten the nuts and bolts. Overtightening may damage the vitreous china.
-  **CAUTION: Risk of product damage.** Do not use cement to seal the foot of the bowl to the floor, as this can damage the product and void the warranty.
-  **CAUTION: Risk of product damage.** To prevent the wall-hung toilet from damage and leaking, do not forcefully bump the wall-hung toilet.
-  **CAUTION: Risk of product damage.** Do not use hard materials (like scouring pad) to clean product surface, especially the product logo.

Follow all local plumbing and building codes.

Turn OFF the water supply.

Two people should perform this installation.

Unpack and inspect the product for damage.

Install the in-wall tank before installing the finished wall.

Install the in-wall tank and the faceplate according to the manufacturer's instructions.

Install the product according to the dimensions in the Roughing-In guide provided with the product.

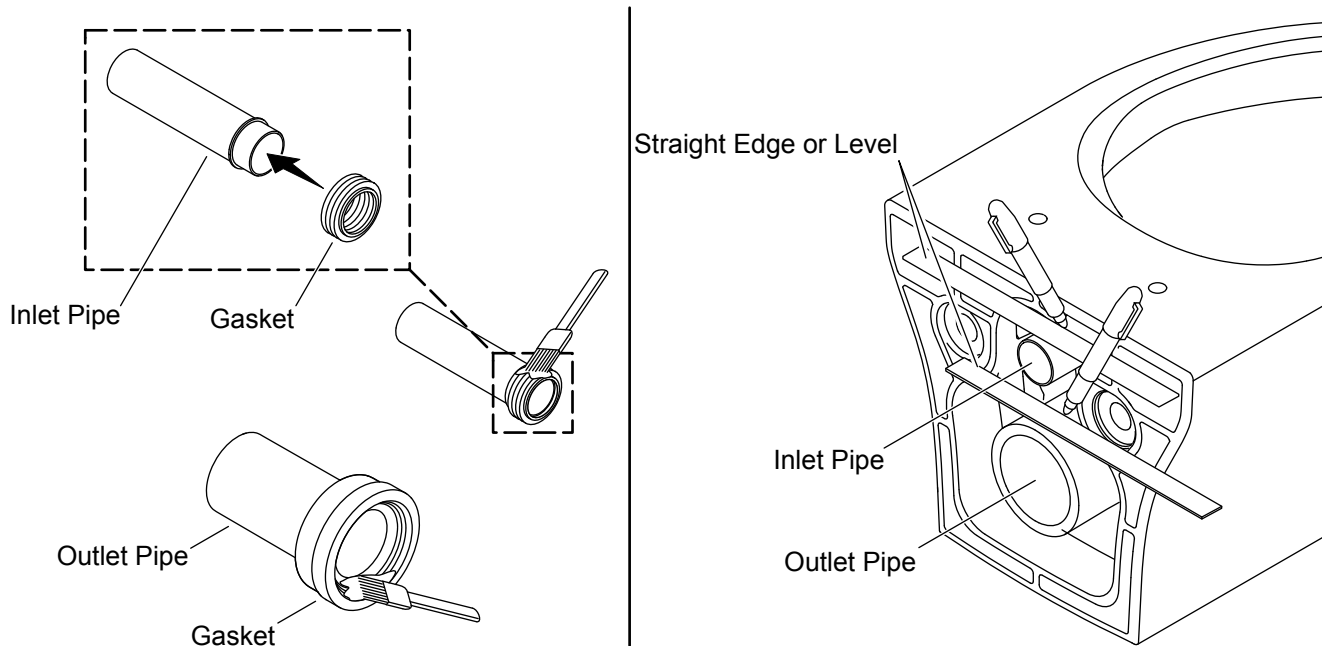
This product complies with Q/KCI-006-2018 and GB 25502-2017.

Follow the bowl cleaner manufacturers instructions carefully.

Do not use abrasive cleaners or solvents.

If the product is used in hard water conditions, verify that the holes in the toilet rim are kept clean to confirm proper bowl flushing. Toilet bowl cleaners should be used at least once a week. Use a long-handled brush to clean the rim holes, and to clean as far into the trap as possible to prevent mineral deposits formation.

1. Mark the Pipes - Bowl Side

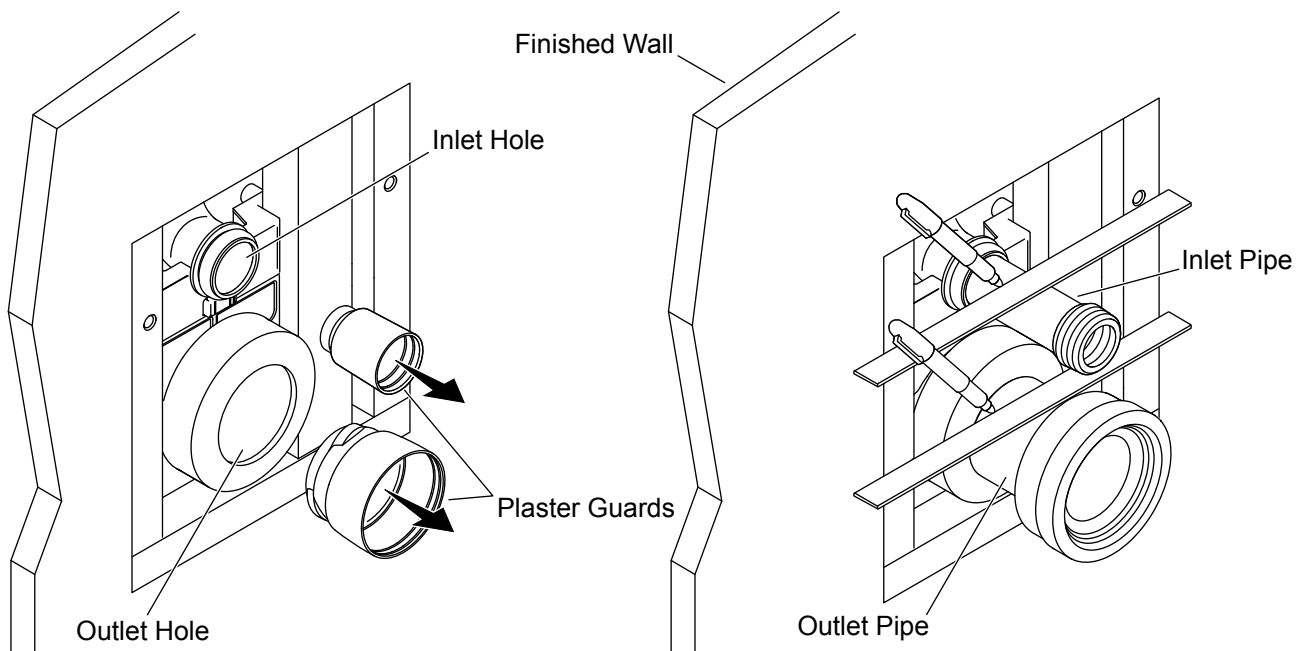


IMPORTANT! If silicone plumbers grease is not applied to the gaskets, they will bind during fitting, which will result in the pipes being cut to incorrect lengths.

NOTE: The outlet pipe gasket comes positioned on the thin portion of the outlet pipe. Remove the gasket and reinstall the gasket as shown.

- Install the gasket on the ribbed end of the inlet pipe.
- Install the outlet pipe gasket on the flared end of the outlet pipe.
- Apply silicone plumbers grease to the outlet pipe gasket.
- Firmly fit the outlet pipe and gasket over the bowl outlet, pushing until the outlet pipe contacts the bowl.
- Position a level or other straight edge across the back of the bowl.
- Mark the outlet pipe at the back edge of the bowl using the level as a guide.
- Apply silicone plumbers grease to the outside of the inlet pipe gasket.
- Firmly insert the gasket end of the inlet pipe into the water inlet, pushing until the inlet pipe contacts the bowl.
- Position a level or other straight edge across the back of the bowl.
- Mark the inlet pipe at the back edge of the bowl using the level as a guide.
- Remove the inlet and outlet pipes.

2. Mark the Pipes - Wall Side



- Remove and discard the plaster guards from the inlet and outlet holes.
- Apply silicone plumbers grease to the gasket in the opening of the inlet and outlet holes.
- Firmly insert the inlet pipe completely into the inlet hole.

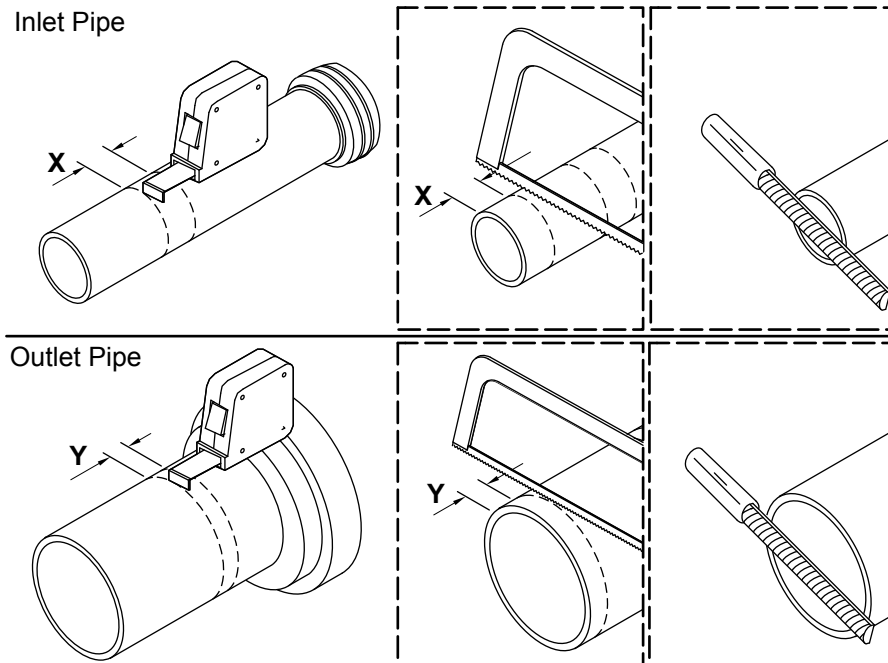
NOTE: If the finished wall aligns with any portion of the gasket section of the inlet pipe, no mark or cut is needed.

- Use a level or other straight edge to mark the inlet pipe even with the front edge of the finished wall.
- Firmly insert the outlet pipe completely into the outlet hole.

NOTE: If the finished wall aligns with any portion of the gasket section of the inlet pipe, no mark or cut is needed.

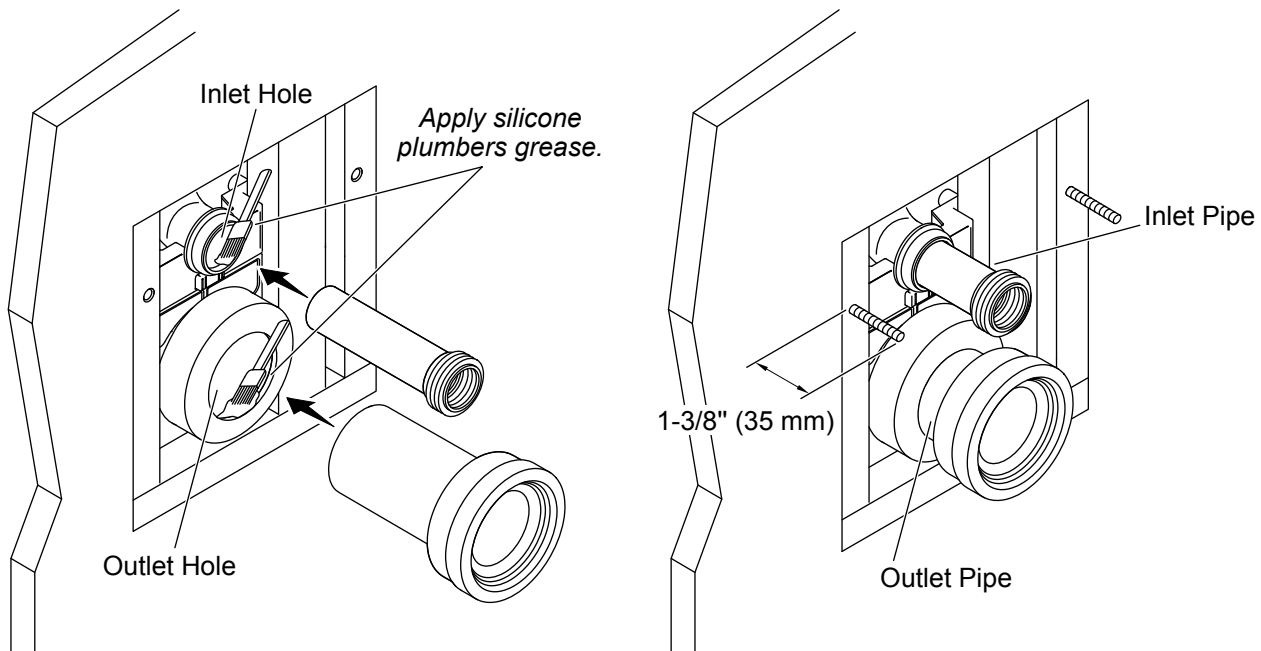
- Use a level or other straight edge to mark the outlet pipe even with the front edge of the finished wall.
- Remove the inlet and outlet pipes.

3. Cut the Pipes



- Measure the distance between the two marks on the inlet pipe to determine "X."
- Measure and mark "X" from the end opposite the gasket on the inlet pipe.
- Cut the inlet pipe at this location.
- Measure the distance between the two marks on the outlet pipe to determine "Y."
- Measure and mark "Y" from the end opposite to the gasket of the outlet pipe.
- Cut the outlet pipe at this location.
- File the pipes to remove any burrs.

4. Install the Pipes

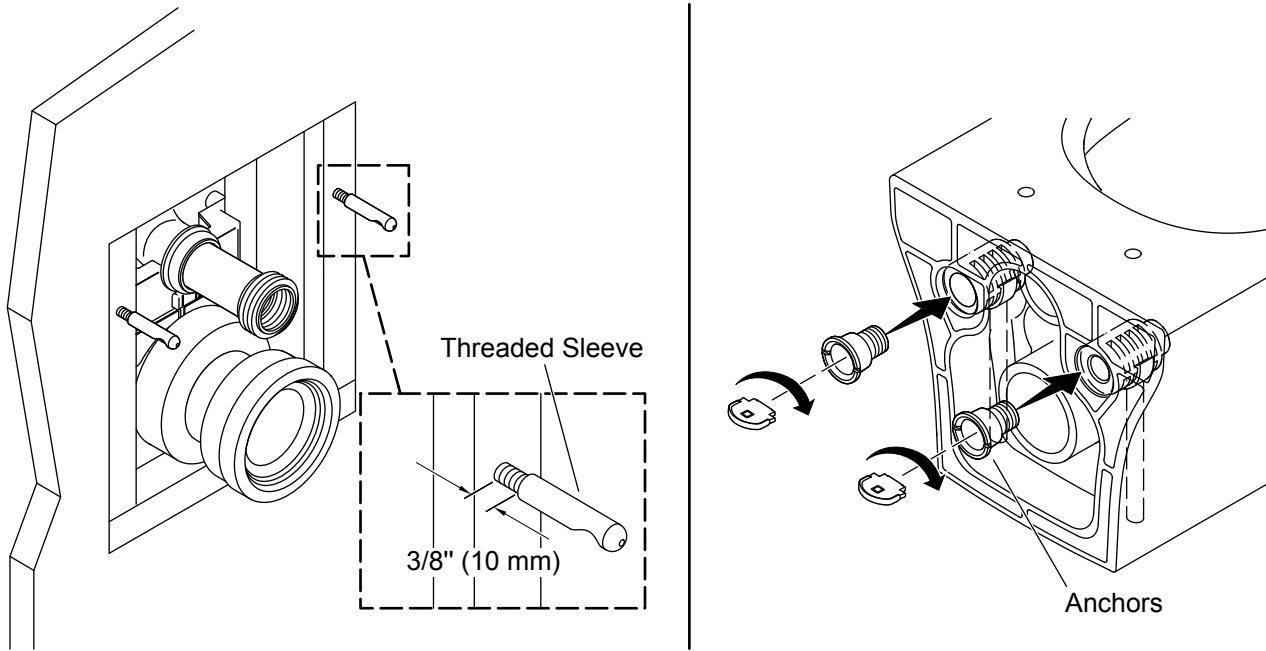


- Verify that the openings of the gaskets on the inlet and outlet holes are well lubricated with silicone plumbers grease. Reapply silicone plumbers grease if necessary.
- Insert the inlet pipe into the inlet hole.
- Insert the outlet pipe into the outlet hole.

Adjust the Threaded Rods

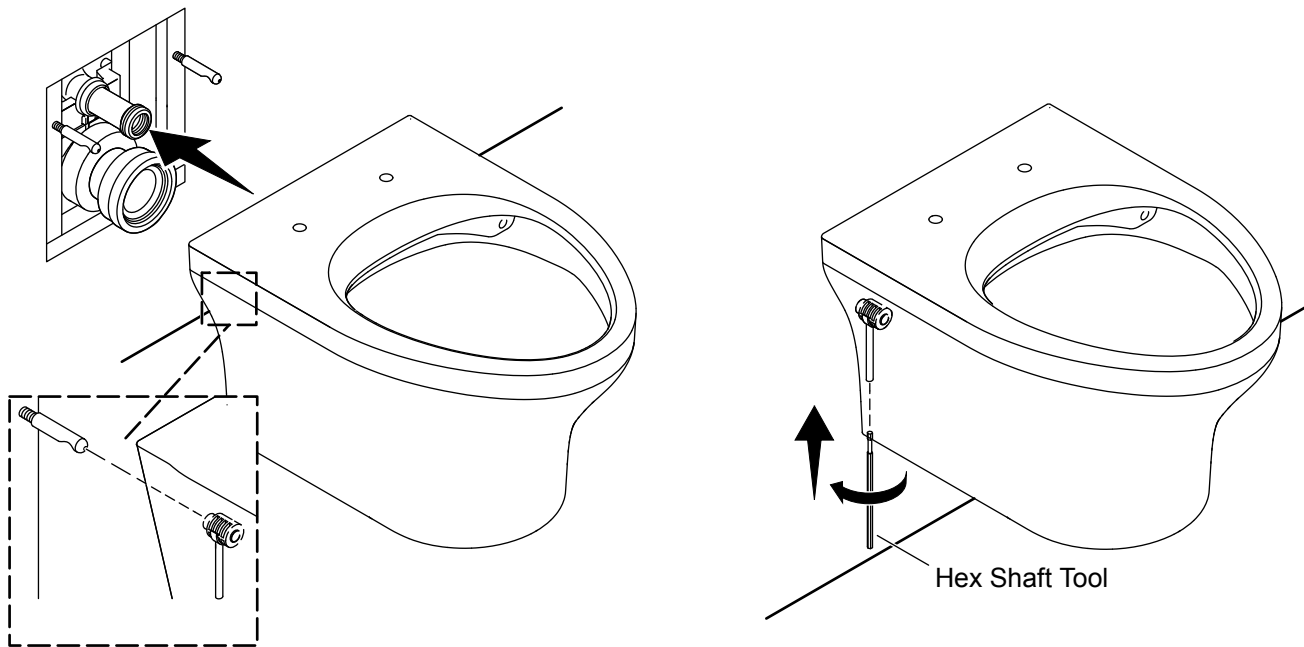
- Adjust the threaded rods until they each extend 1-3/8" (35 mm) from the finished wall.

5. Install the Threaded Sleeve and Anchors



- Thread the threaded sleeve onto the threaded rods, positioning the end of the notched pegs 3/8" (10 mm) from the finished wall.
- Position the threaded sleeves with the notches facing down.
- Install the anchors and tighten using the provided tool.

6. Install the Bowl

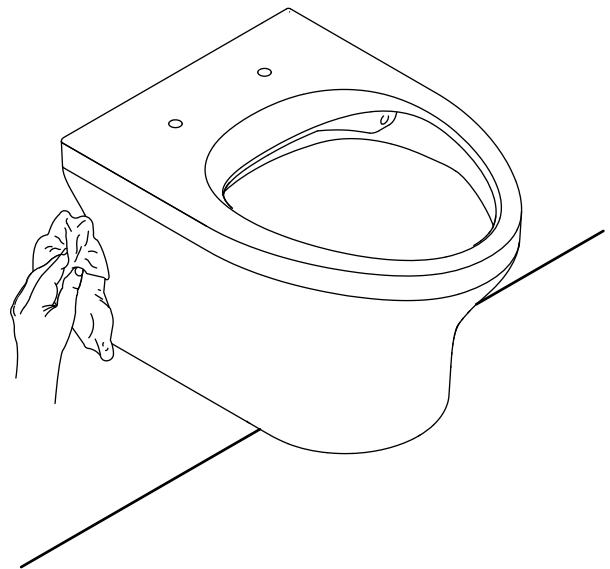
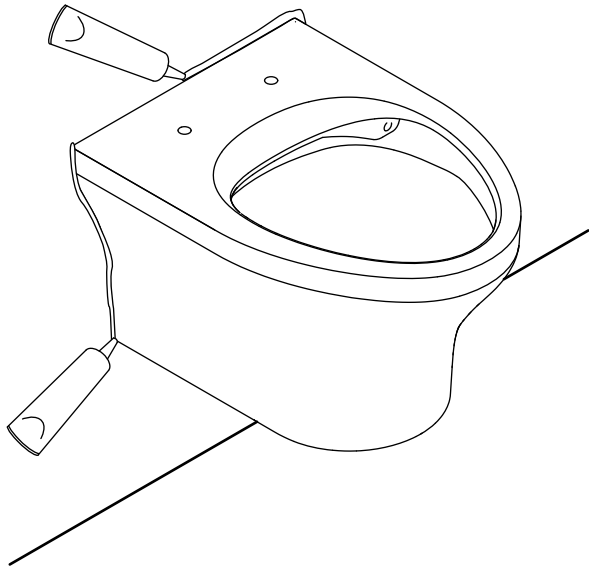


⚠ CAUTION: Risk of personal injury. This product is heavy. Lift the toilet with two people, using proper lifting technique.

NOTE: Verify that the gaskets are well lubricated with silicone plumbers grease. Reapply silicone plumbers grease if necessary.

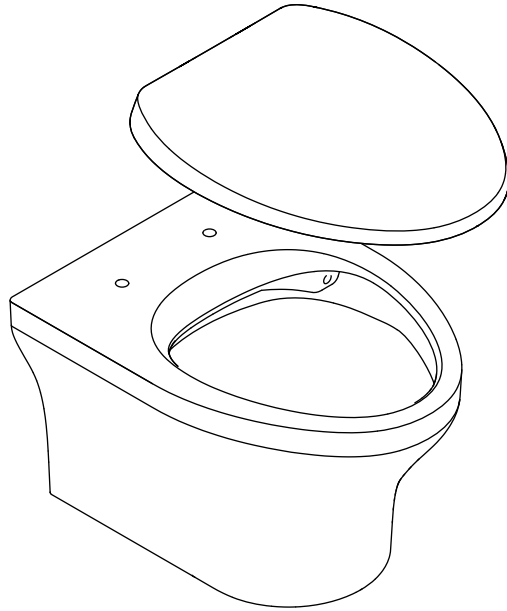
- Verify that the gasket on the inside of the inlet elbow has correctly engaged with the inlet pipe.
- Verify that the gasket on the inside of the outlet elbow has correctly engaged with the outlet pipe.
- Verify that the threaded sleeves are oriented with the notches facing down.
- Carefully lift the bowl and align the threaded sleeves and pipes with the corresponding holes.
- Slide the bowl onto the threaded sleeves, inlet pipe, and outlet pipe.
- Verify that the bowl fully engages the gaskets on the inlet and outlet pipes.
- Slide the bowl back until flush with the wall.
- From underneath the toilet bowl, insert the hex shaft tool into the pipe and tighten the hexagon screws.

7. Complete the Installation



- Apply silicone sealant along the edges of bowl and wall interface.
- Wipe away any of the excess silicone sealants.

8. Install the Seat



- Install the seat according to the instructions provided with the seat.

kohler.com.cn

THE BOLD LOOK
OF **KOHLER**®

©2023 Kohler Co.



1511226-T2

1511226-T2-A